

BREDA

24" FRONT LOAD WASHING MACHINE



LUWM91400

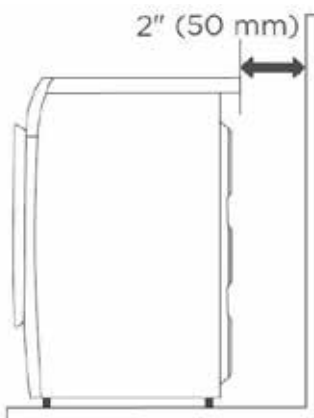
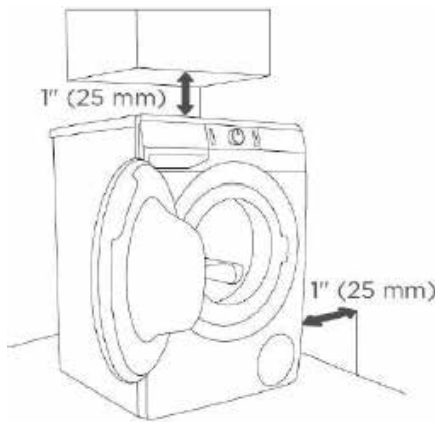


Features

- Stainless Steel Interior Tub
- 2.3 CuFt Capacity
- 19.8 Lbs Load Capacity
- Brushless DC Motor
- 220V Power Plug (Plugs into dryer)
- 27 Wash Programs
- 8 Auxiliary Functions
- Energy Star
- 2 Year Full Parts + Labor Warranty

Dimensions:

- Height: 33.5"
- Width: 23.5"
- Depth: 24" - Machine Depth
- 25.5" - Door Closed
- 44.5" - Door Open



FEATURES	
Capacity cu. ft.	2.3
Drum Material	Stainless Steel
Load Capacity	19.8 lbs / 9 kg
Controls	Electronic
Number of Programs	27 Programs: Cotton Dark Warm, Cotton Color Hot, Cotton Color Warm, Cotton Color Cold, Cotton White Extra hot, Cotton White Hot, Cotton White Warm, Mixed Hot, Mixed Warm, Mixed Cold, Wool Warm, Wool Cold, Heavy Duty Extra Hot, Heavy Duty Hot, Heavy Duty Cold, Quick Wash Warm, Sanitize Tub, Rinse & Softening, Spin + Drain, Active Wear Warm, Down Wear Warm, Down Wear Cold, Allergy Care Extra Hot, Allergy Care Hot, Allergy Care Warm, Auto Wash Warm
Auxiliary Functions	NormalCare, EcoCare, TimeCare, Water +, EcoEye, Prewash, Pump Stop, Spin
RPM	1400
Motor	Brushless
Time Delay	Yes
Child Lock	Yes
Adjustable Feet	Yes
Stacking Kit	Included
Drain Hose	Included
Plug	Included
TECHNICAL	
Energy Star Qualified	Yes
Energy consumption	100 kWh/year
RoHs compliant	Yes
Height	33 1/2" (850 mm)
Width	23 1/2" (600 mm)
Depth	24" (610 mm) - Machine Depth 25 1/2" (640 mm) - Door Closed 44 1/2" (1125 mm) - Door Open
Weight	172.8 lbs / 78 kg
Electrical connection:	Power Plug (Plugs into dryer)
Electric current supply	220-240 V / 60 Hz